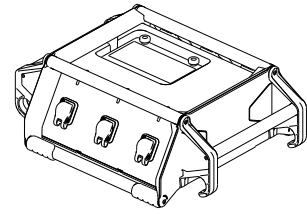


LINK 3G

Technical Specifications

Version 1.0 (Dec 2024)



Instagrid

Instagrid LINK is a smart power distributor that extends the features of your portable power supply and enables new and powerful applications.

- Island mode – combine Instagrid ONE units for up to 3 x capacity. Hot-swap seamlessly for extended run times without the hassle of generators or extension cords.
- Continuous power source – set up a mission-critical power supply with no interruptions.
- Power up to three devices with RCD-protection without noise or exhaust fumes throughout the whole working day.

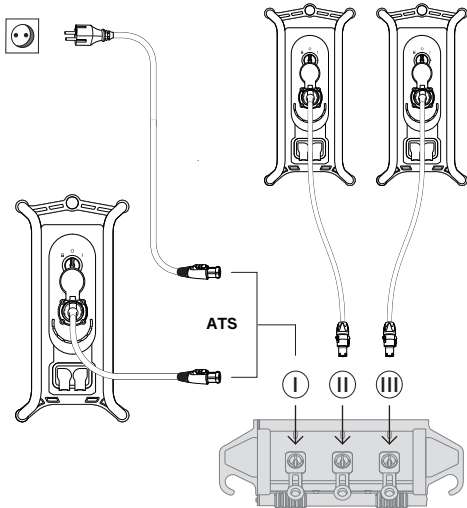
 **Receptacle type**
3x CEE 7/3 16 A

Product Description:
LINK | Type F | 230V | 16A | IP54

Art.Nr.: 990-00001
EAN/GTIN: 4260710090050

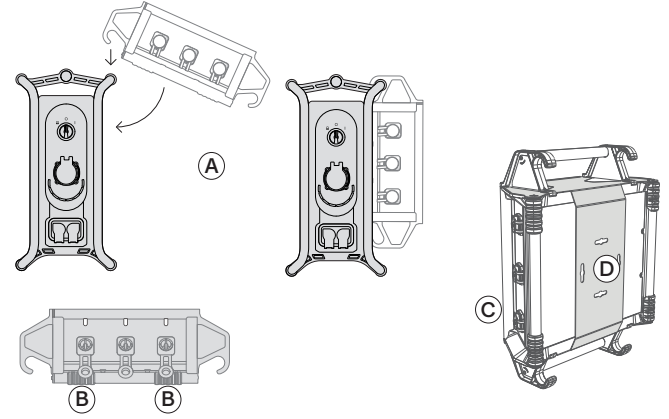
Parameter	Value
Operation	
Nominal voltage output	230 V AC / 50 Hz
Nominal output current	16 A
Nominal output power	3600 W
Switching time	< 20 ms
Protection	
Residual circuit device	3x 1P+N RCD type A, 30mA
Circuit breaker	1P 16 A (tripping characteristic C)
General Information	
Weight	4.5 kg
Size	400 x 310 x 140 mm
IP Class	IP54
Protection class	Class I provided with Class II construction
Ambient temperature	-15°C to 40 °C
Receptacles	
Input receptacles	3x Neutrik powerCON TRUE1 TOP®
Output receptacles	3x CEE 7/3 16 A

Input Logic



- The usual ONE charging cable can be used to connect Instagrid LINK to main power
- Instagrid LINK always uses power from ① when available, otherwise it uses power from ② and ③
- ② and ③ work in a “ping-pong” system → switch to another source only occurs if power from the current source ceases
- Continuous power source:
Plug main power into ① + one or two Instagrid ONE into ② and ③

Operation and Transport

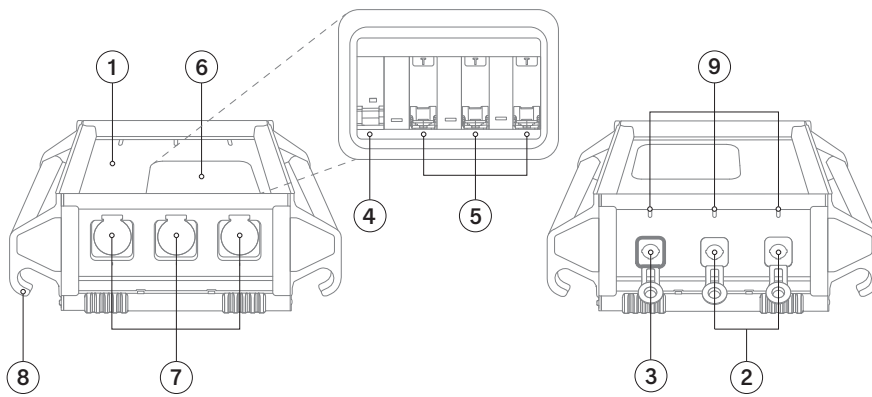


- Optimized for mounting on Instagrid ONE (A)
- 4 sturdy feet for stability and grip (B)
- Solid frame for custom mounting (e.g. velcro straps) (C)
- Surface mounting with screws (D)

Operation Modes

	Active	LED blinks GREEN
	Ready/standby	LED lights up WHITE
	Inactive	LED is OFF
	Service	LED lights up RED

Overview



- 1 Housing
- 2 2x Secondary input
Neutrik powerCON TRUE1 TOP®
- 3 1x Primary input
Neutrik powerCON TRUE1 TOP®
- 4 1x Circuit breaker (MCB)
- 5 3x Circuit breaker (RCCB)
- 6 Accessible fuse box
- 7 3x Output sockets
- 8 Handle and hook
- 9 3x LED light